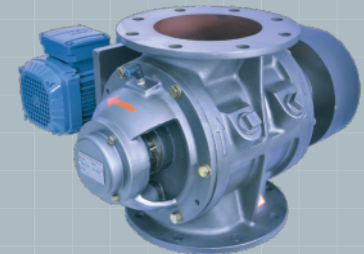


Rotary Valve

DVT



AIRLOCK range of **DVT** Rotary Valves have been designed for pneumatic Conveying and Metering the products in powder, granular and pellet form, particularly products having low bulk density & poor flowability.

A wide range of Rotary Valves are available for use in Dairy, Food, Chemical, Plastics, Pet Food Pharmaceutical and other dry bulk material.

The Rotary Valve is available in different sizes from 200 - 350 mm

FEATURES :

- Enlarged inlet / outlet
- Maximum filling efficiency
- Minimum air leakage
- ATEX rated
- 10 bar pressure shock resistance.
- Construction in Cast Iron , Aluminium and range of Stainless Steel
- Easy maintenance
- Outboard bearings, lubricated & sealed for life

DESIGN :

- Sizes from 200 to 350 mm
- DIN / ANSI / JIS drilling pattern
- Operating temperature 150 deg C
- Designed for Lean Phase conveying

OPTIONS :

- Chrome Coating
- Tungsten Carbide Coating
- Chain & Direct Drives
- Air Purge Glands
- Quick Release Rotor
- Dropout Box
- Inlet Restrictor
- Zero Speed Sensor
- Rotor interference sensor (RIS)
- High Temperature

APPLICATION :

- ❖ Pressure
- ❖ Vacuum
- ❖ Gravity
- ❖ Metering & Feeding

PRODUCT DETAILS

The Material of Construction of Rotary Valve comes with different material based on the execution.

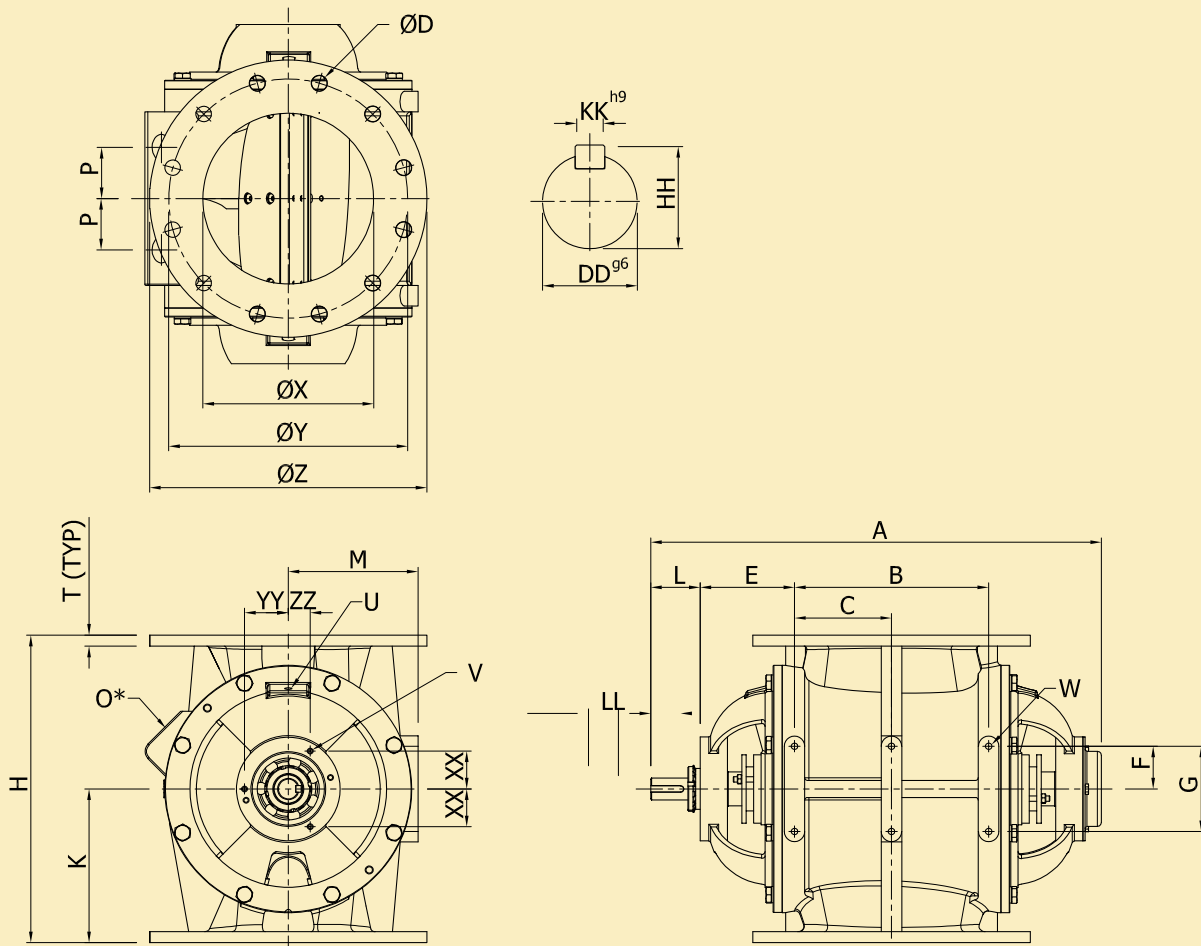
The standard Rotary Valve has 9 bladed rotor. Different configuration of rotor is available on need & request.

We Provide different kind of shaft sealing depending upon the product and application.

The Rotary Valve is supplied with SEW drive as a standard and other drives are available on request.

Rotary Valve

DVT



Type DVT	Swept Volume in M ³	DIN				ANSI		A	B	C	E	F	G	H	K	L	M	O* (BSP)
		$\varnothing X$	$\varnothing Y$	$\varnothing D$	$\varnothing Z$	$\varnothing Y$	$\varnothing D$											
200	0.006	200	295	8x $\varnothing 23$	343	298.4	8x $\varnothing 22.2$	524	190	-	125	50	100	330	165	60	165	1"
250	0.011	250	350	12x $\varnothing 23$	406	361.9	12x $\varnothing 25.4$	609	234	-	138	62.5	125	390	195	72	197.5	1 1/4"
300	0.019	300	400	12x $\varnothing 23$	483	431.8	12x $\varnothing 25.4$	659	284	142	138	62.5	125	450	225	72	222.5	1 1/4"
350	0.034	350	460	16x $\varnothing 23$	530	476.2	12x $\varnothing 28.6$	763	360	180	150	62.5	125	540	270	74	225	1 1/2"

Type DVT	P	T	U (BSP)	V	W	XX	YY	ZZ	DD	KK	HH	LL
200	53	14	1/4"	3xM6	4xM10	37.1	52.5	37.1	30	8	33	36
250	65	16	1/4"	3xM8	4xM12	55.4	64	32	32	10	35	44
300	75	21	1/4"	3xM8	6xM12	55.4	64	32	32	10	35	44
350	95	21	3/8"	3xM10	6xM12	73.6	85	42.5	38	10	41	45

All dimensions are in mm.

*Vent holes pre - drilled & plugged for Cast Iron execution.

Note: We reserve the right to modify the dimensions without prior notice.