



## ROTARY VALVE

Our range of **DST** Rotary Valves has been designed for Pneumatic Conveying and Metering the products in powder, granular and pellet form.

A wide range of Rotary Valves are available for use in Dairy, Food, Chemical, Plastics, Pet Food, Pharmaceutical and other dry bulk material.

The **Rotary Valve** is available in different sizes from 200 - 350 mm.

### FEATURES :

- Square inlet and round outlet or vice versa
- Suitable for product with low bulk density & poor flowability
- Minimum air leakage
- ATEX rated
- 10 bar pressure shock resistance
- Construction in Cast Iron and range of Stainless Steel
- Easy maintenance
- Outboard bearing lubricated & sealed for life

### DESIGN :

- Sizes from 200 to 350 mm
- DIN / ANSI / JIS drilling patterns
- Operating temperature 150 deg C
- Designed for Lean Phase conveying

### OPTIONS :

- Chrome Coating
- Tungsten Carbide Coating
- Chain & Direct Drives
- Air Purge Glands
- Quick Release Rotor
- Inlet Restrictor
- Speed Sensor
- Rotor Touch Indication
- High Temperature

### APPLICATION :

- ❖ Pressure
- ❖ Vacuum
- ❖ Feeding and Metering
- ❖ Gravity

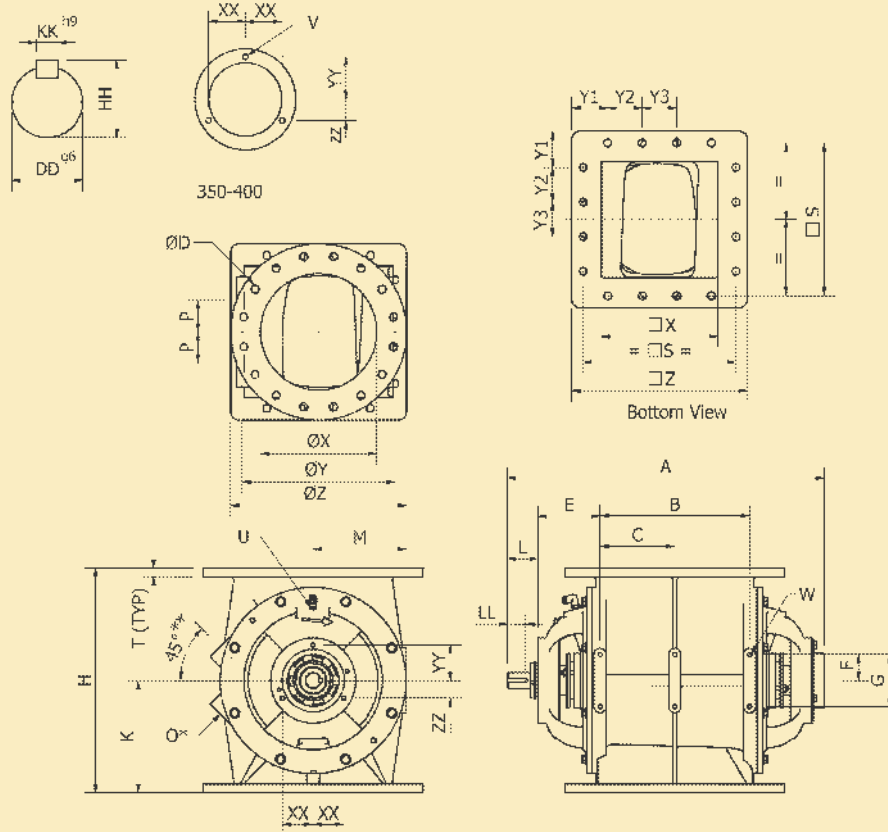
## PRODUCT DETAILS

The Material of Construction of Rotary Valve comes with different material based on the execution.

The standard Rotary Valve has 9 bladed rotor. Different configuration of rotor is available on need & request.

We provide different kind of shaft sealing depending upon the product and application.

The Rotary Valve is supplied with SEW drive as a standard and other drives are available on request.



Type DST	Swept Volume in M <sup>3</sup>	Ø X	□ X	Ø Y	Ø Z	□ Z	Ø D	A	B	C	E	F	G	H	K	L	M	O°(BSP)
100	0.001	100	100	170	210	175	4xØ18	328	90	-	84	32.5	72	170	85	52	90	-
150	0.003	150	150	240	285	267	8xØ23	484	146	73	127	50	100	275	137.5	60	110	3/4"
200	0.006	200	200	295	340	320	8xØ23	524	190	95	125	50	100	325	162.5	60	130	1"
250	0.011	250	250	350	395	370	12xØ23	609	234	117	138	62.5	125	380	190	72	160	1 1/4"
300	0.019	300	300	400	483	445	12xØ23	659	284	142	138	62.5	125	450	225	72	190	1 1/4"
350	0.034	350	350	460	530	530	16xØ23	763	360	180	150	62.5	125	540	270	74	225	1 1/2"
400	0.058	400	400	515	595	595	16xØ26	833	420	210	155	62.5	125	660	330	74	270	1 1/2"

Type DST	P	T	V	W	XX	YY	ZZ	DD	KK	HH	LL	□ S	Y1	Y2	Y3	U
100	-	11	3xM6	4xM10	-	35	35	25	8	28	43	135	20	135	-	1/8"
150	40	11	3xM6	4xM10	37.1	52.5	37.1	30	8	33	36	222	88	95	-	1/4"
200	53	14	3xM6	6xM10	37.1	52.5	37.1	30	8	33	36	273	104	113	-	1/4"
250	65	14	3xM8	6xM12	55.4	64	32	32	10	35	44	324	23	108	108	1/4"
300	75	21	3xM8	6xM12	55.4	64	32	32	10	35	44	384	30.5	128	128	1/4"
350	95	21	3xM10	6xM12	73.6	85	42.5	38	10	41	45	460	109	104	104	3/8"
400	112	26	3xM10	6xM12	73.6	85	42.5	38	10	41	45	515	125	115	115	3/8"

All dimensions are in mm.

\*Standard pre-drilled & plug tapped holes for Cast Iron execution. \*\*O° for Size DST - 100

Note: We reserve the right to modify the dimensions without prior notice.